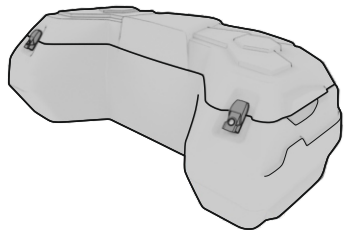
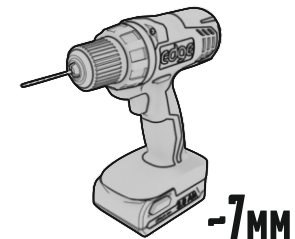
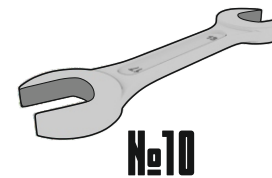
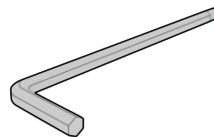


INSTRUCTION

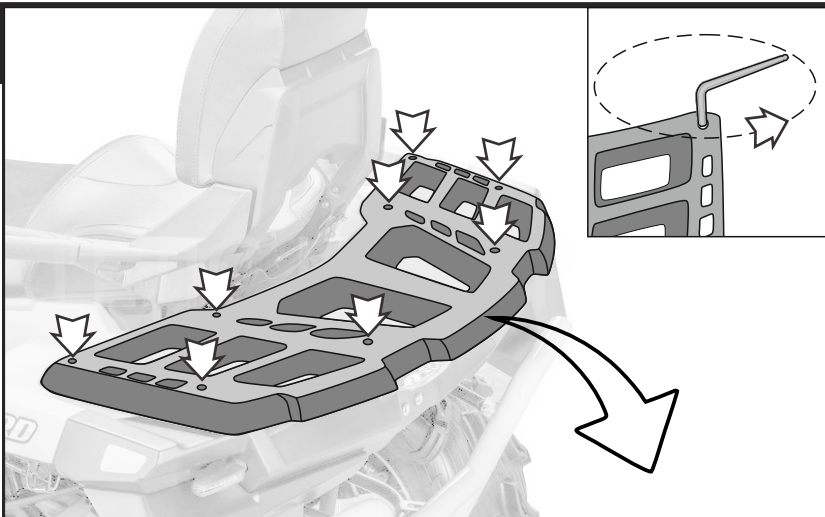
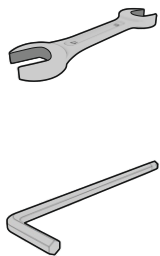
you have



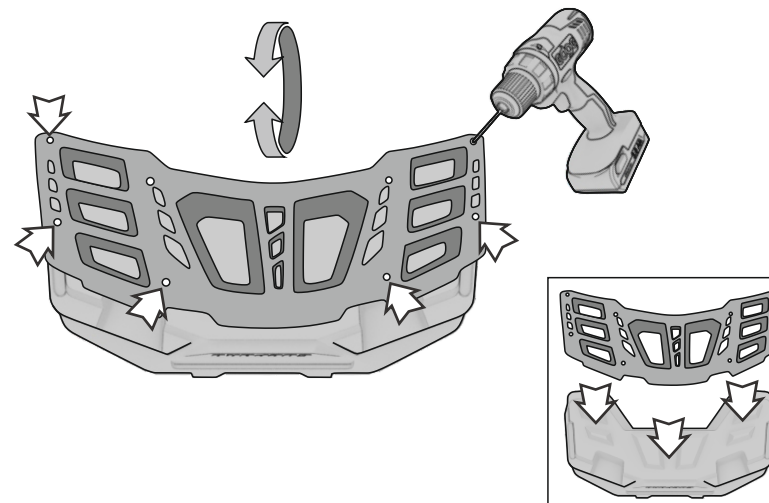
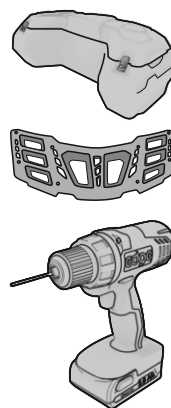
you need



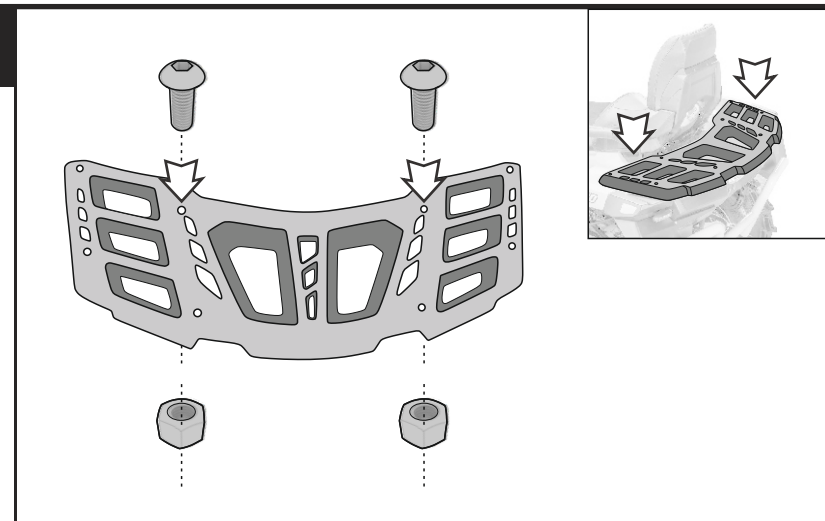
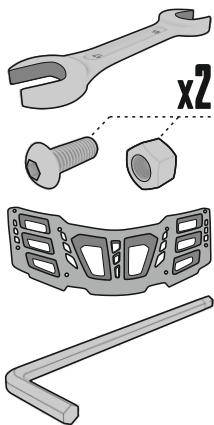
1. REMOVE



2. DRILL



3. INSTALL



4. INSTALL

